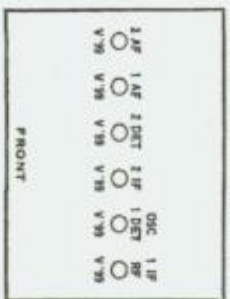
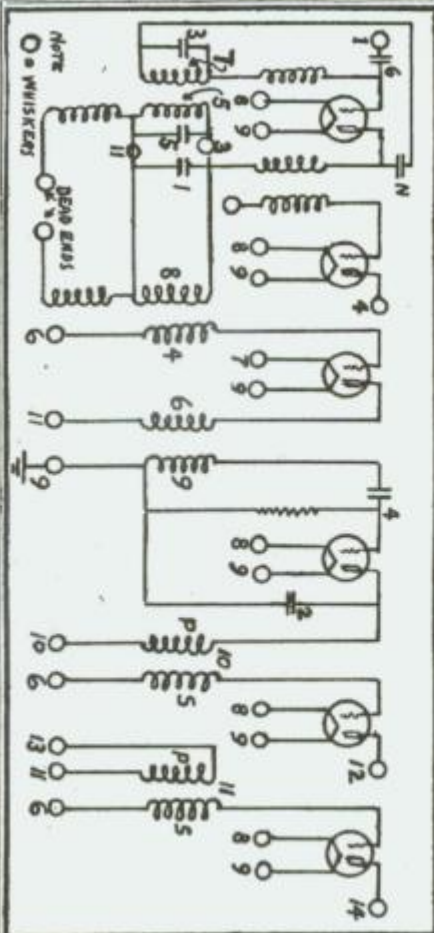


Connection Diagram of Radiola Super-Heterodyne



Model Radiola Super-VIII (1925)

**Continuity Test Circuit Of Standard Six Tube Catacomb Radiolas 24, Super-Heterodyne, Super-VIII.**



**Term No.**  
 From 6 to 9 Maximum 4.5 volts. Minimum 4 volts

9 to 10 Maximum 4.5 volts. Minimum 3 volts with all tubes lighted.

10 to 11 Maximum 45 volts. Minimum 54 volts.

11 to 12 Maximum 45 volts. Minimum 54 volts.

8 to 10 Maximum 3 volts when the volume control rheostat is at 100, and the battery setting rheostat is properly adjusted.

The numbers refer to terminals on the catacomb terminal board starting at the right when looking at the front of the panel.