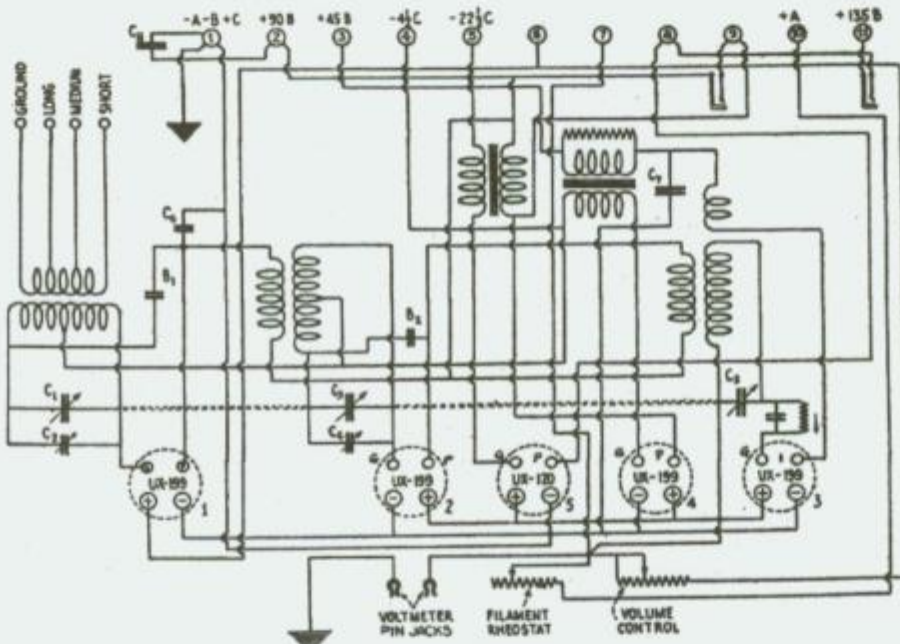
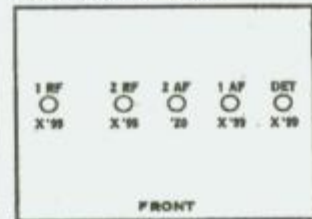


Radiola 20.



Continuity Diagram of the Radiola 20

Model Radiola 20 (1925)



- | | |
|--------------|-----------------------------|
| B plus 135 | Red |
| B plus 90 | Maroon and Red |
| B plus 45 | Maroon |
| A- B- C plus | Green and Yellow-Red Tracer |
| -4.5 | Black and Green |
| -22.5 | Black with Green Tracer |
| A plus | Yellow |